

## Film wrapping machine Type FWAL-250



Connected to the line with manual feeding

## Film wrapping of fresh meat products

The Frontmatec Film Wrapping Machine type FWAL-250 is designed for the film wrapping of fresh meat products (not marinated etc.) e.g. pork belly/loin and beef pieces, in plastic film.

### Function

- The meat pieces are placed manually onto the film on the inlet conveyor of the machine, which then starts and the products is transported directly onto the outlet belt
- When the product is stopped on the outlet belt, the upper and lower sealing bar automatically closes and seals the plastic around the product
- The sealing bars opens and the product is transported on the outlet conveyor and leaves the machine
- The film wrapping machine is now available with an improved security system, with optical security devices for optimal operator protection
- Optionally the machine can be delivered with a side welding unit (left and right), which is mounted on the outlet belt
- Optionally the machine can be delivered for in-line production

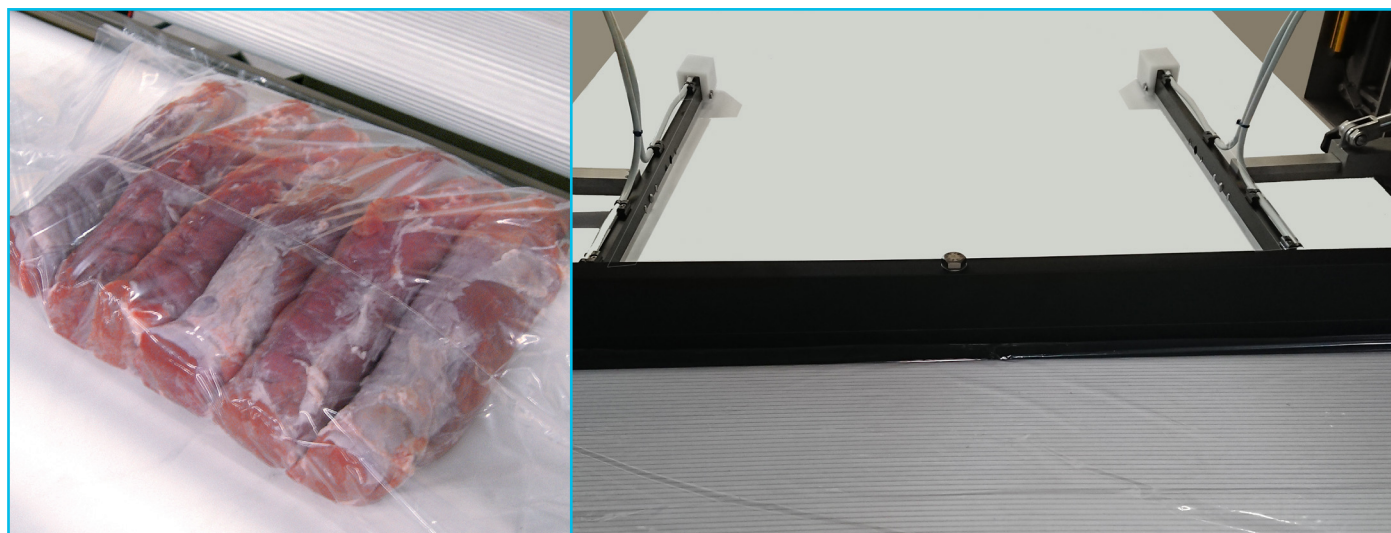
### Advantages

By using the Frontmatec Film Wrapping Machine type FWAL-250 for the film wrapping of products before entering freezing, you ensure that the products do not stick to each other, and they are easily separated. The machine offers easy cleaning, and high accuracy of the wrapping of your products.



### Why the Frontmatec Film Wrapping!

- Easy product infeed by dropping directly on the film on the infeed belt
- PLC control for individual recipes
- Optional side welding unit available
- Optional also available for in-line production
- Complete stainless-steel body
- Smooth surfaces making it easy to clean



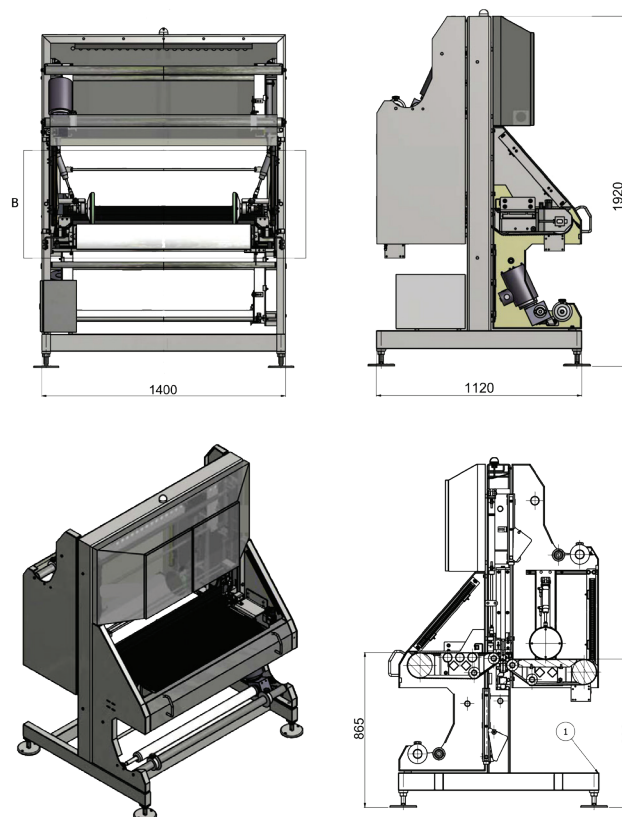
Multiple packing options

Optional side welding unit on the outlet side

## Technical data

Capacity	20-25 products/min.
Product dimensions	
Min./max. height	30-250 mm
Max. width	750 mm
Min./max. length	100-380 mm - depending on weight and shape of the product
Machine height	1,920 mm
Width	1,400 mm
Depth	1,120 mm
Type of film	Heat sealable PE
Film thickness	25-50 micron
Width of film roller	300-1,000 mm
Max. diameter of film roller	ø250 mm
Electric	Siemens PLC control with display in stainless cabinet
Voltage	3x400V, 50 Hz
Power	IN 9 Amp
Pre-fuse	16A
Air consumption	130 NL/min.
Air supply	7 bar

Technical data may be subject to changes. The equipment is CE approved and designed in accordance with the EU regulations to meet the strictest demand on health and safety.



## Contact

CN: shanghai@frontmatec.com  
Phone: +86 215 859 4850

DK: tandslet@frontmatec.com  
Phone: +45 744 076 44

NL: rijssen@frontmatec.com  
Phone: +31 886 294 000

UK: birmingham@frontmatec.com  
Phone: +44 121 313 3564  
frontmatec.com

DE: beckum@frontmatec.com  
Phone: +49 252 185 070

ES: barcelona@frontmatec.com  
Phone: +34 932 643 800

RU: moscow@frontmatec.com  
Phone: +7 495 424 9559

US: kansascity@frontmatec.com  
Phone: +1 816 891 2440